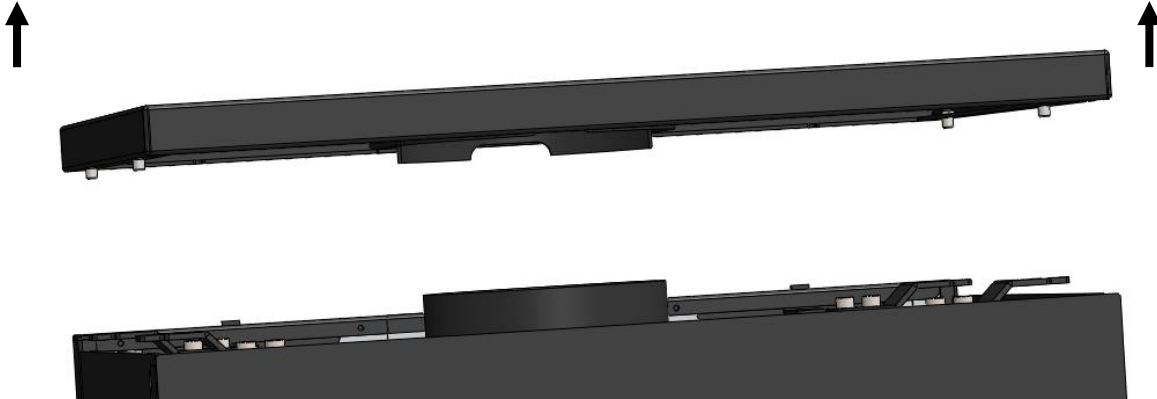


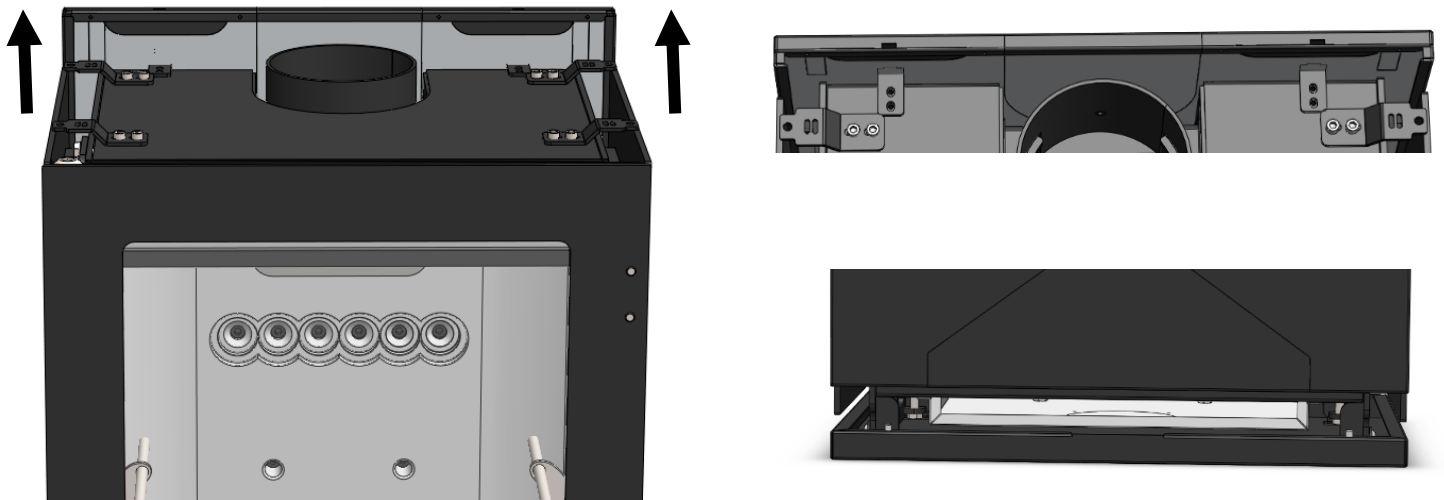
## LPV control change over from Stainless steel to soft touch black

### Air Slider

First the top plate and the back panel will need to be removed



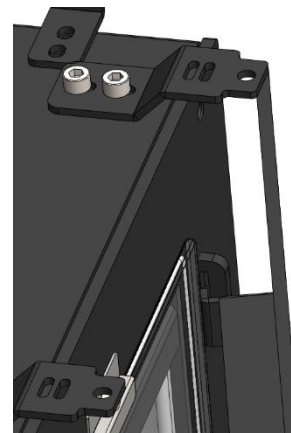
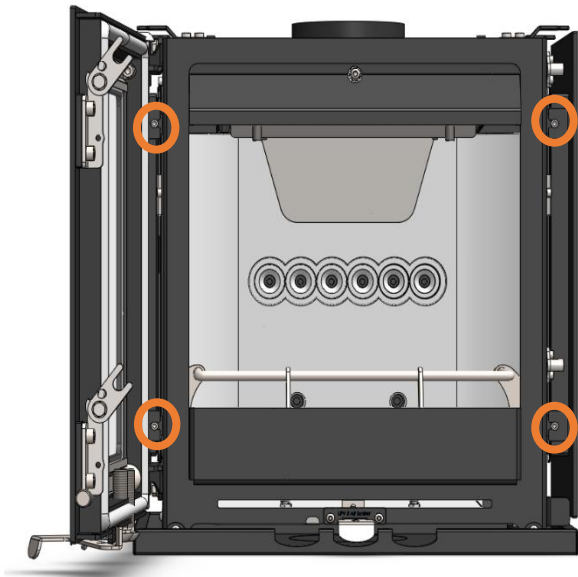
Top plate is a simple pull off panel due to the pins fitted to the panel



Back panel is as simple as pulling the panel straight up as it is fixed via two pins at the bottom and two hooks on the top

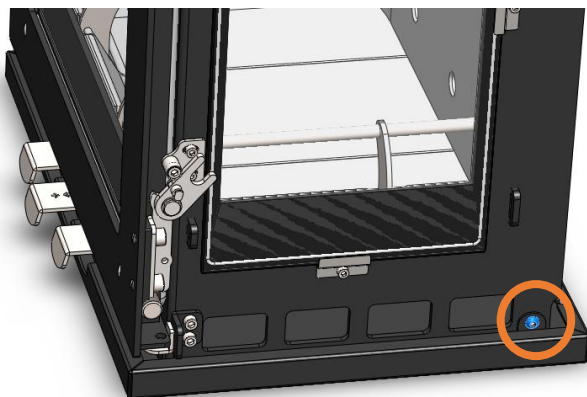
The next step would be to remove the side panels

Remove the two screws on the front of each panel 4 in total (size 4 allen key)

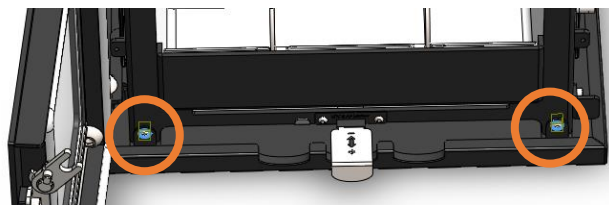


As you pull the panel away from the fire box you will need to pull the panel towards the front of the appliance to release the panel from the rear hooks that hold the panel to the fire box.

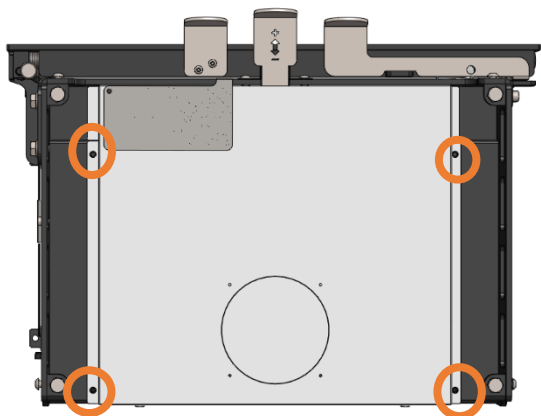
Then lay the fire down on its back and then remove the bottom panel



The bottom panel is held on with 4 bolts (10mm spanner) one on each side at the rear of the fire and two on the front of the fire

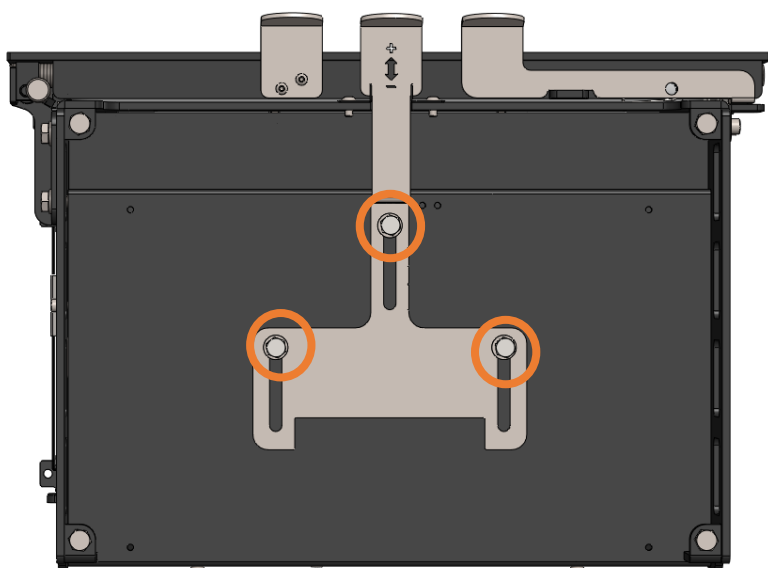


Once the bottom panel is removed the bottom outside air box is accessible

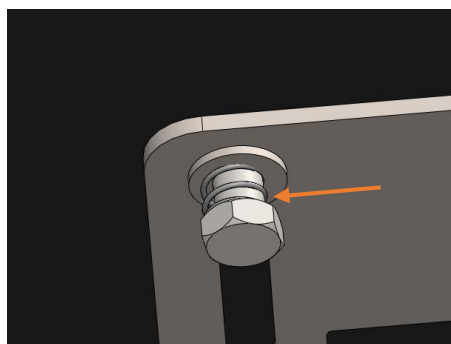


The bottom outside air box can be removed by removing the four bolts using a size 4 allen key

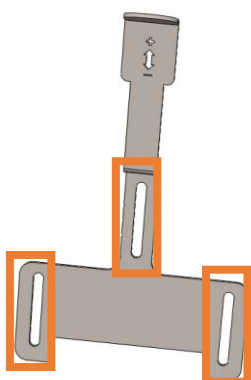
Next step to remove the air control slider



Remove the three bolts (12mm Spanner) but be careful as each bolt has a compression spring and washer on that can fall off as you remove the bolts



Next is to prepare the new air slider by applying some grease around the slots where the bolts sit

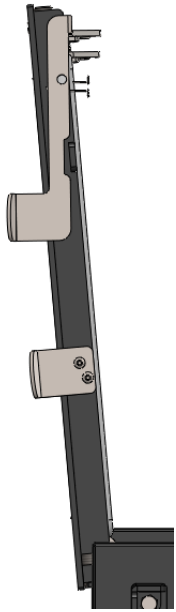


The grease will need to be applied to both sides of the air slider

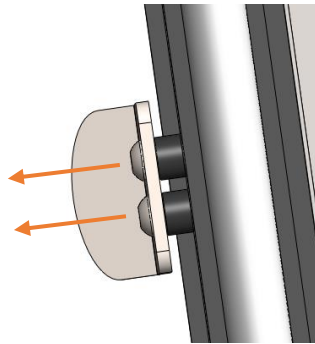
Once the grease is on the air slider you can then reassemble the air control in the reverse order that you took it apart and reassembly the casing on the stove.

## LH blank plate

To change the LH blank Plate either take the door off or lay the stove on its back with the door open



Remove the two screws using a 3mm allen key but keep in mind that there is a spacer between the plate and the door casting



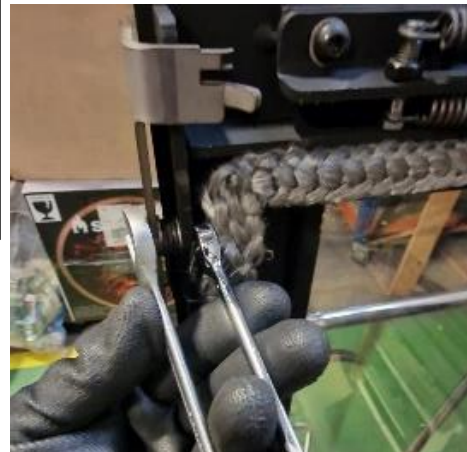
Then simply put the screws and spacers back on with the new plate

## Changing the door release handle

To change the door release handle either take the door off or lay the stove on its back with the door open



Using a 12mm on the nut that is on the bottom of the handle and a 10mm spanner on the top nut which is positioned just under the door seal

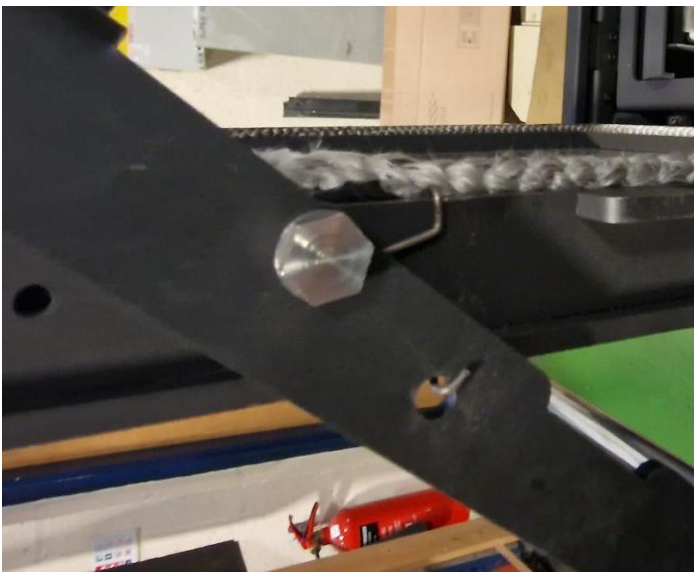


After undoing the nuts you will find that the handle can be removed off the door but be aware that the spring for the handle is hooked on the cast of the door and a hole on the handle



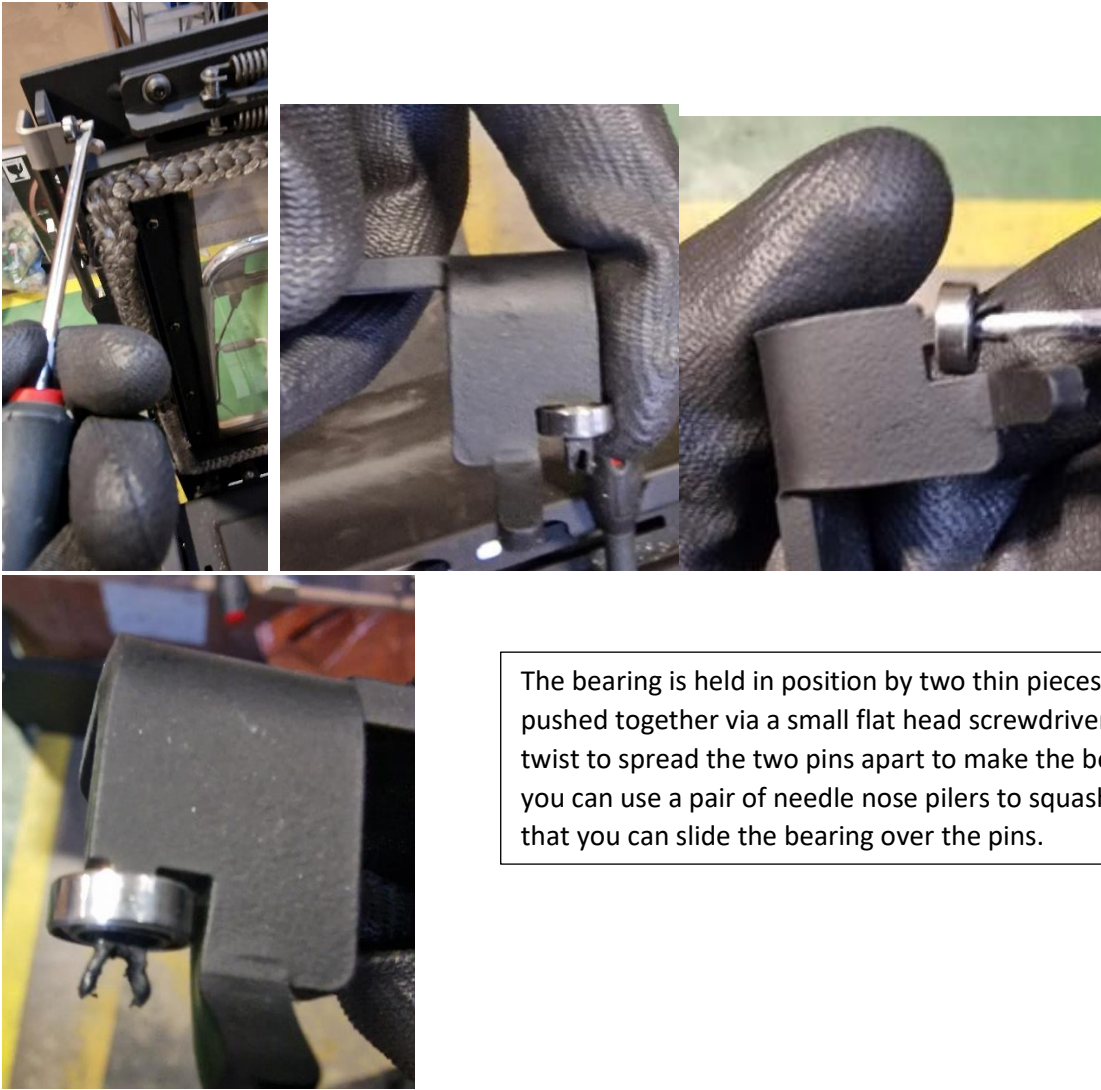
On the pin that goes through the spring you will find that there is a spacer then the spring then a washer

Once the spacer is on the spring this then gets hooked through the hole in the handle and the other side goes on the door casting



Once the spring is put in place you can secure the handle to the door

Next you will need to fit the bearing that goes on the end on the handle



The bearing is held in position by two thin pieces of metal that can be pushed together via a small flat head screwdriver through the gap and twist to spread the two pins apart to make the bearing held in place or you can use a pair of needle nose pliers to squash the pins together so that you can slide the bearing over the pins.